

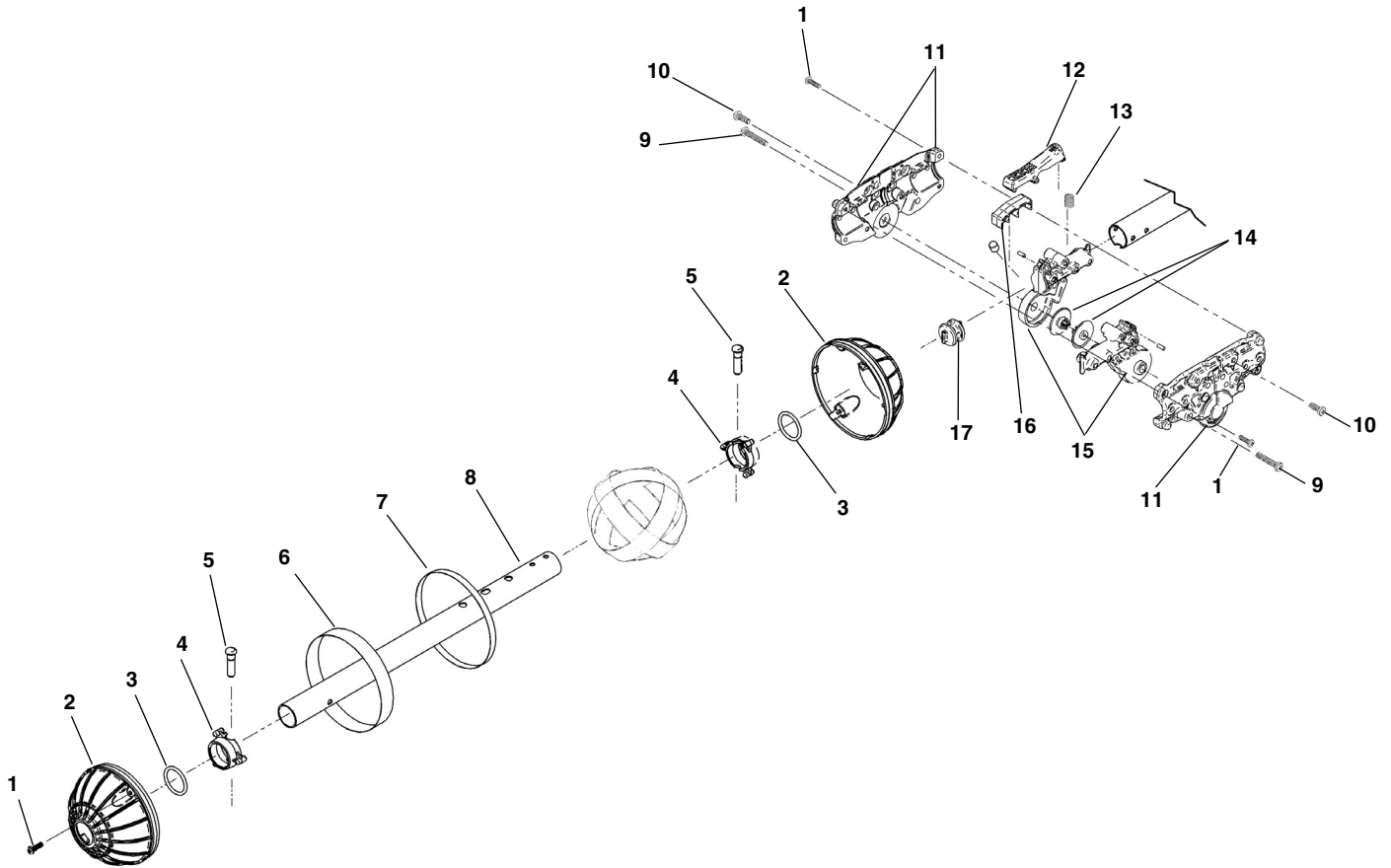
**NOTE: Order parts by Catalog Number only.
DO NOT order by Reference Number.**

Ref. No.	Catalog No.	Description
1	26063	Screw #8-16 x 3/8" (2)
2	26068	Tube Cap
3	26073	Dowel Pin
4	26078	Flat Flex Cable
5	24588	Screw #6 x 3/8" (2)
6	24593	Screw #6-32 x 3/16"
7	24583	Right Angle Mounting Bracket (2)
8	24563	Serial Board Asm
9	26083	NaviTrack 2 Bottom Case Asm (Incl. Batt. Contacts)
	43098	SR-60 Bottom Case Asm (Incl. Batt. Contacts)
10	26113	WEEE Label (Europe Only)
11	26093	Bottom Cover
12	12543	Set Of Marker Chips
13	26098	Bottom Handle Insert
14	24488	Screw #4 x 1/2" (3)
15	23178	Battery Cover Asm
16	26103	Screw #8 x 3/4" (9)
17	24408	Screw #8 x 1" (4)

Following Item Not Shown:

26108	Flat Nylon Washer (13)
	(Fits Behind Screw Shown As Ref. 17)

NOTE: All Parts Shown Are Used By Both The Navitrack 2 & SR-60 Unless Specifically Noted.



**NOTE: Order parts by Catalog Number only.
DO NOT order by Reference Number.**

Ref. No.	Catalog No.	Description	Ref. No.	Catalog No.	Description
1	24413	Screw #6 x 1/2" (5)	11	23663	Outer Pivot Asm
2	24328	Top Antenna Shell	12	23593	Pivot Latch
3	24358	O-Ring	13	23603	Latch Spring
4	24318	Antenna Pin Ring	14	26133	Bottom Mast Tube
5	24373	Antenna Pin	15	26128	Screw #6 x 3/4"
6	26118	Antenna Ball Label (Navitrack 2)	16	23613	Tube Seal
7	45403	Antenna Ball Label (SR-60)	17	26138	Bottom Antenna Shell
8	24363	Double Sided Tape Roll	18	24333	Tube Lock
9	26123	Top Mast Tube	19	23598	Wire Reel
10	24408	Screw #8 x 1" (4)	20	23588	Center Pivot
	24403	Screw #8 x 1/2" (16)	21	23628	Rear Pivot Cover

NOTE: All Parts Shown Are Used By Both The Navitrack 2 & SR-60 Unless Specifically Noted.

